

4. ENGINE ELECTRICAL (MPFI)

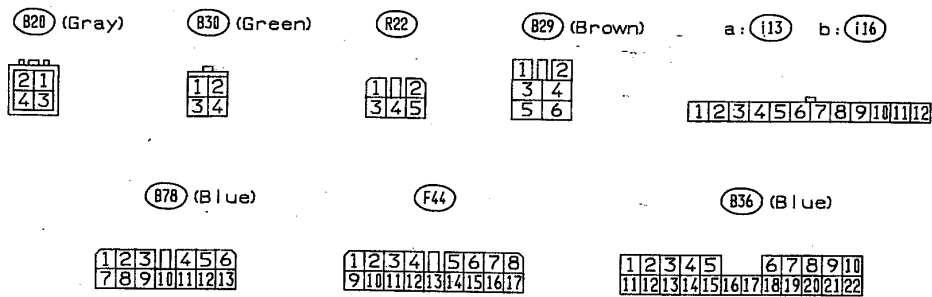
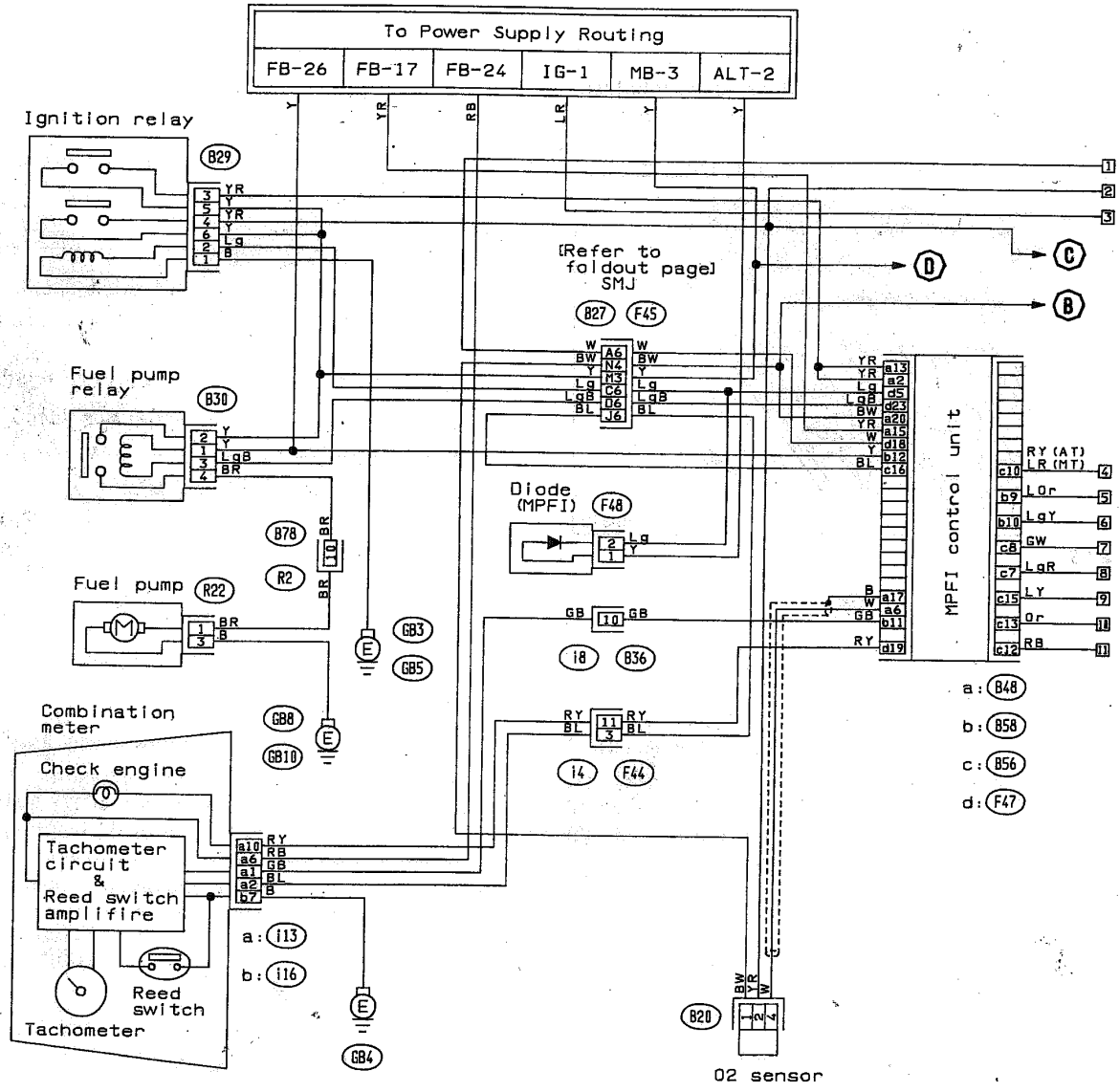
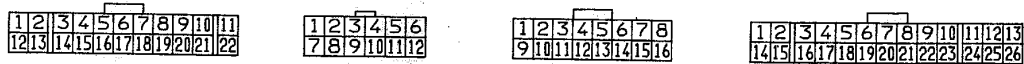
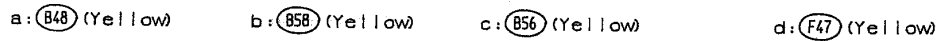
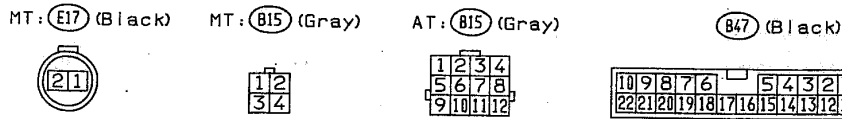
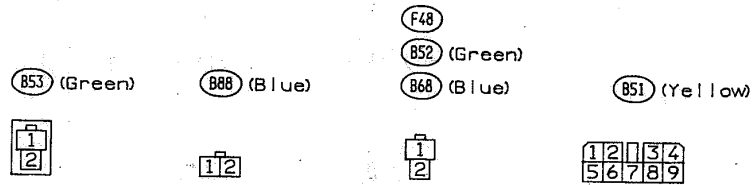
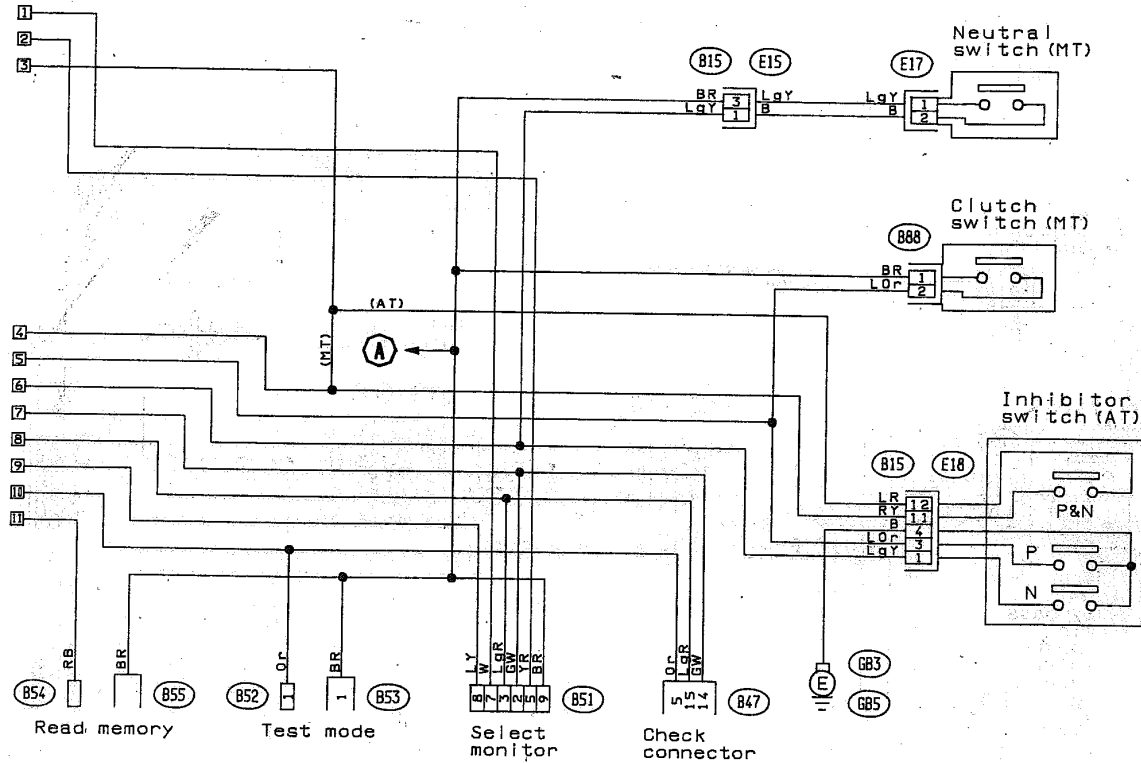
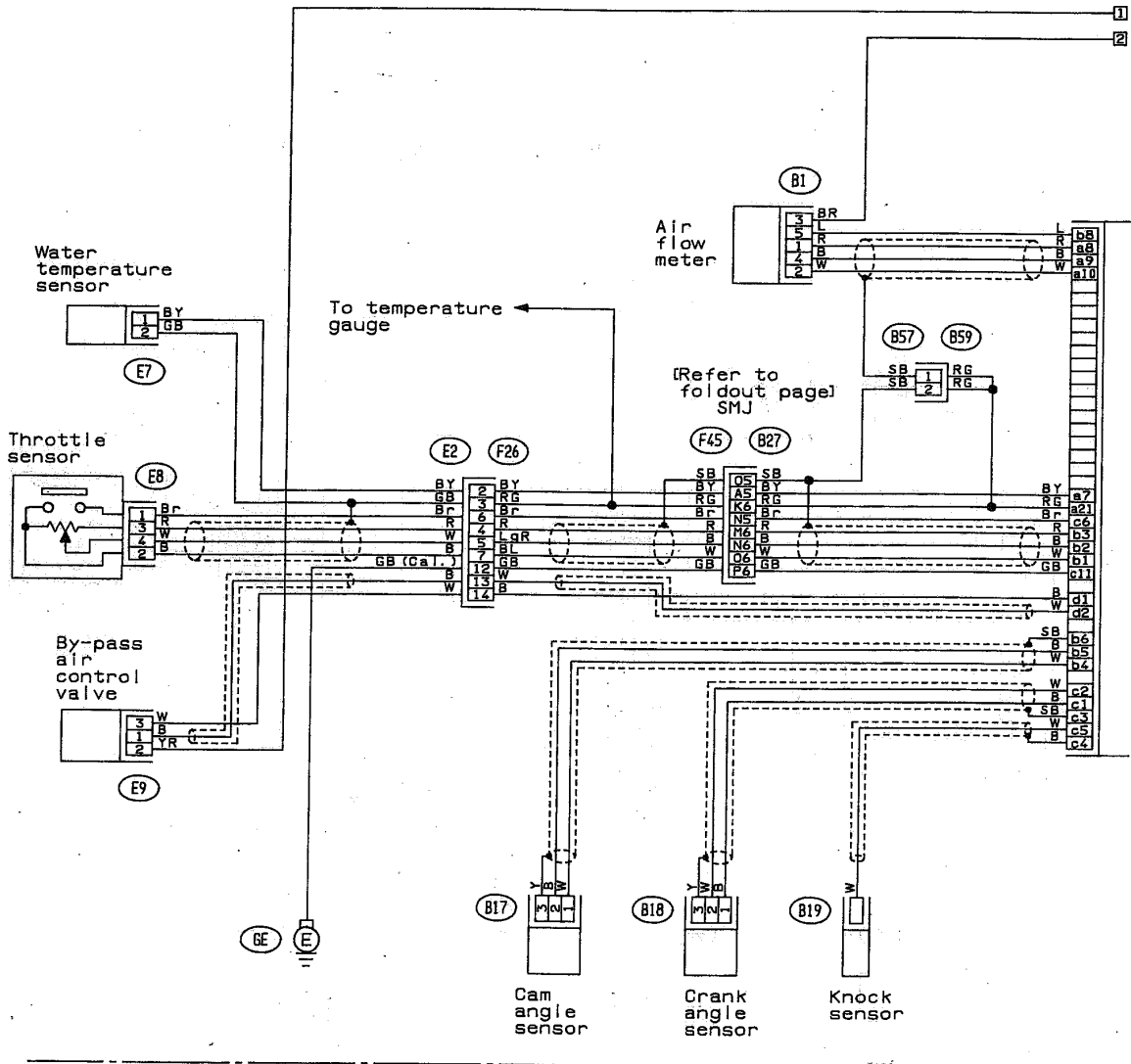


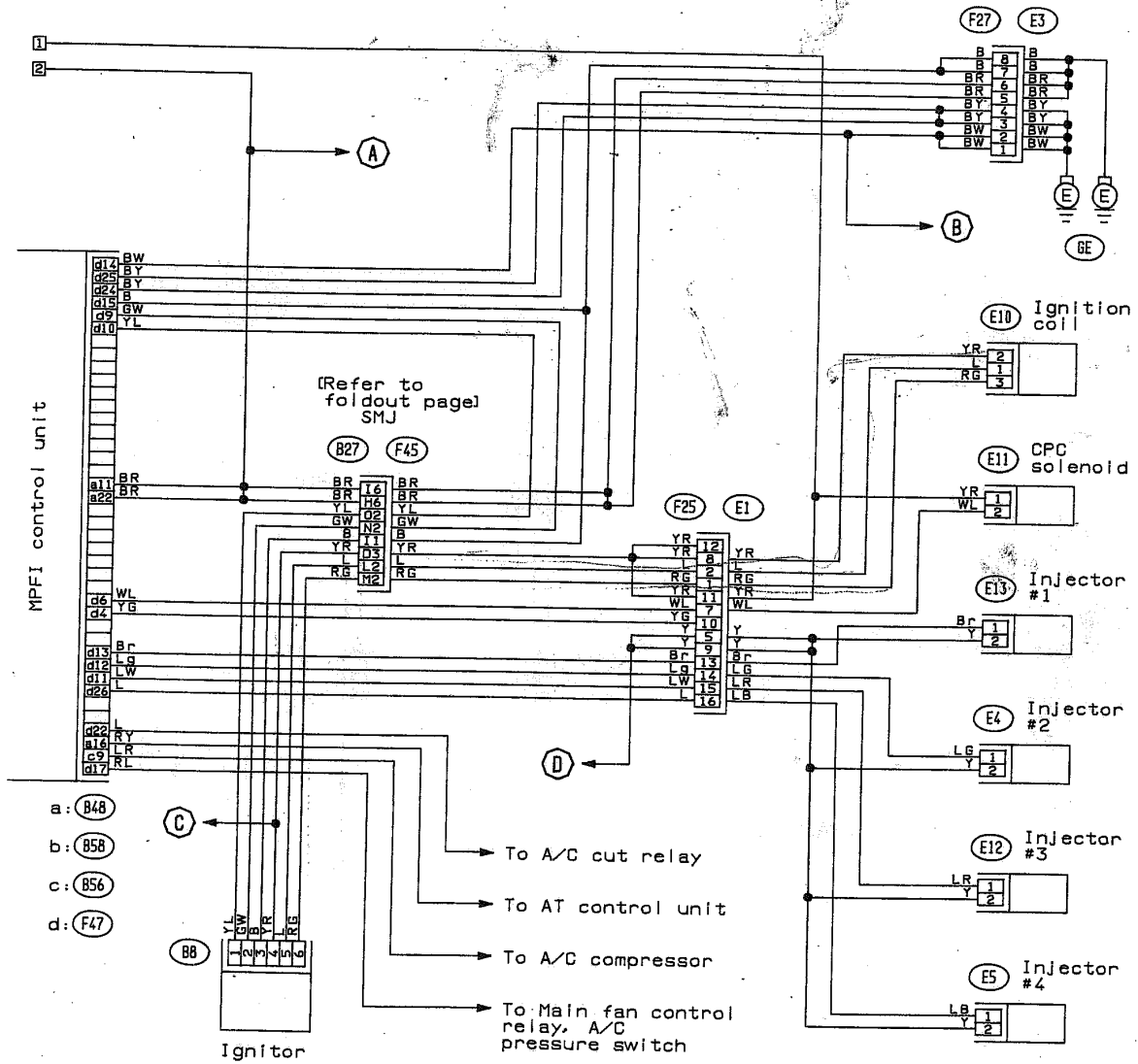
Fig. 28-1



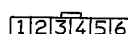


- (B57) (Black)
 - (E7) (Brown)
 - (B18) (Gray)
 - (E9) (Gray)
 - (B17) (Gray)
 - (E8) (Gray)
 - (B1) (Gray)
 - (F26) (Gray)
- Terminal block diagrams:
- 1 2
 - 1 2 3
 - 1 2 3
 - 1 2 3 4
 - 1 2 3 4 5
 - 1 2 3 4 5 6 7 8 9 10 11 12 13 14

Fig. 28-2



- (E4) (Gray) (E11) (Blue)
- (E5) (Gray) (E12) (Gray) (E13) (Gray) (E10) (Gray) (B8) (Gray) (F27) (Gray)



- a: (B48) (Yellow)

- b: (B58) (Yellow)

- c: (B56) (Yellow)

- d: (F47) (Yellow)

(Gray)

(F25)

